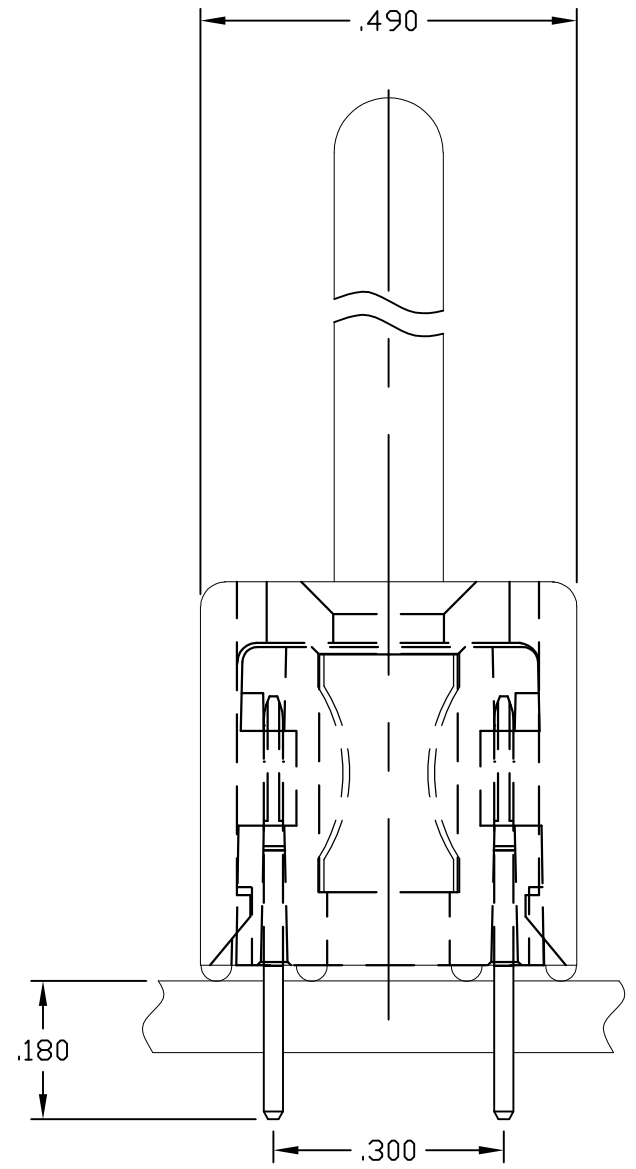
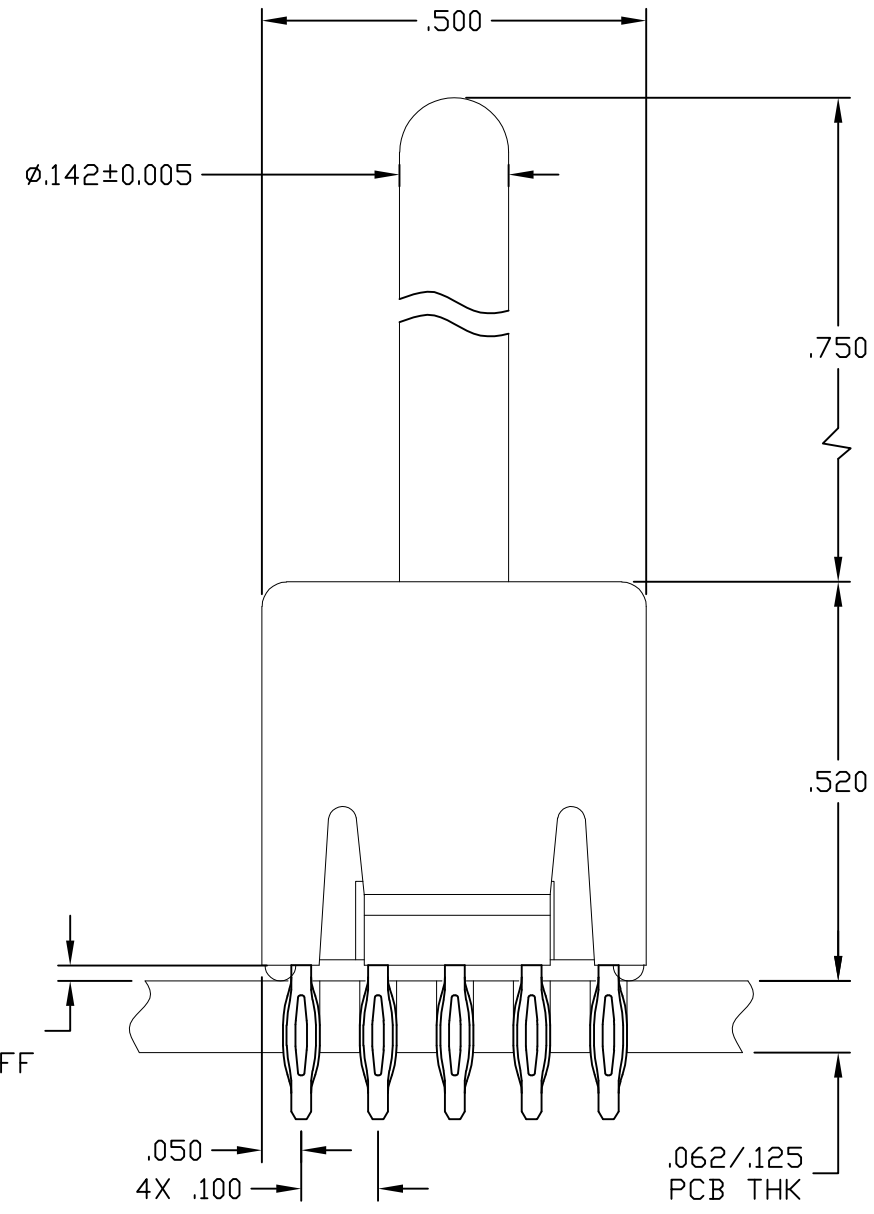
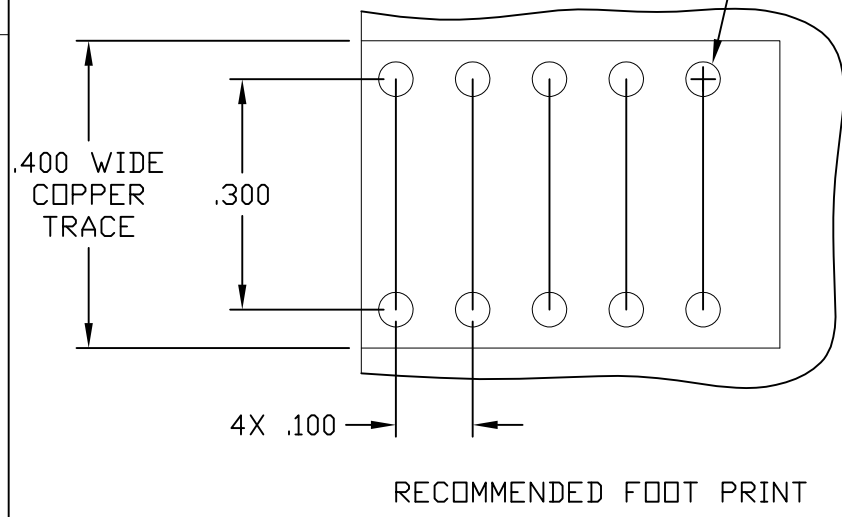


THIS DRAWING IS UNPUBLISHED. RELEASED FOR PUBLICATION
 © COPYRIGHT - By - ALL RIGHTS RESERVED.

LOC	DIST	REVISIONS					
GP	00	P	LTR	DESCRIPTION	DATE	DWN	APVD
			C	REV PER ECO-11-007678	11JUL2011	RG	DO

RECOMMENDED PRINTED CIRCUIT HOLE
 COMPLIANT PRESS FIT
 DRILLED HOLE: $\phi.0453 \pm .0005$
 COPPER PLATE: .0010 - .0020 (PER SURFACE)
 TIN PLATE: .00002 MINIMUM (PER SURFACE)
 10X



5. FOR APPLICATIONS UTILIZING AN IMMERSION SILVER PLATED PCB. CONSULT TYCO ENGINEERING.

4. FINISHES:

- CROWN: GOLD PLATED, .000030 MIN THICK OVER NICKEL PLATED, .000040 MIN THICK.
- INSERT: SILVER PLATED, .000200 MIN THICK, OVER NICKEL PLATED, .000040 MIN THICK.
- COMPLIANT TAIL: SILVER PLATED, .000200 MIN THICK, OVER NICKEL PLATED, .000040 MIN THICK.
- CONTACT: SILVER PLATED, .000200 MIN THICK, OVER NICKEL PLATED, .000040 MIN THICK.

3. MATERIALS:

- HOUSING: THERMOPLASTIC, GLASS REINFORCED, COLOR-BLACK UL94V-0 FLAMMABILITY RATED
- CROWN: COPPER ALLOY
- INSERT: ZINC ALLOY, CASTING
- CONTACT: BRASS ALLOY
- COMPLIANT TAIL: PHOSPHOR BRONZE ALLOY

2. ITEMS PROVIDED TO THIS SPECIFICATION SHALL BE IDENTIFIED ON THE CONTAINER WITH THE FOLLOWING INFORMATION: PART NUMBER & DATE CODE OF MANUFACTURE.

1. PART NUMBER CHANGES AND OR DESIGN CHANGES AFFECTING ITEM INTERCHANGEABILITY REQUIRE PRIOR TE APPROVAL AND AUTHORIZATION BY REVISION TO THIS DRAWING.

6643450-1
 PART NUMBER

THIS DRAWING IS A CONTROLLED DOCUMENT.		DWN	12JAN2011	TE Connectivity ICCON, PIN, SIZE NO.8, PERPENDICULAR COMPLIANT TAIL, 10 PIN FOOT PRINT NON LOCKING STYLE, .750 PIN EXT													
DIMENSIONS: INCHES		CHK	-														
TOLERANCES UNLESS OTHERWISE SPECIFIED:		APVD	12JAN2011														
<table border="1"> <tr><td>0 PLC</td><td>± -</td></tr> <tr><td>1 PLC</td><td>± -</td></tr> <tr><td>2 PLC</td><td>± .02</td></tr> <tr><td>3 PLC</td><td>± .010</td></tr> <tr><td>4 PLC</td><td>± -</td></tr> <tr><td>ANGLES</td><td>± .5</td></tr> <tr><td>FINISH</td><td>-</td></tr> </table>		0 PLC	± -			1 PLC	± -	2 PLC	± .02	3 PLC	± .010	4 PLC	± -	ANGLES	± .5	FINISH	-
0 PLC	± -																
1 PLC	± -																
2 PLC	± .02																
3 PLC	± .010																
4 PLC	± -																
ANGLES	± .5																
FINISH	-																
MATERIAL		PRODUCT SPEC	-	SIZE	A3												
		APPLICATION SPEC	-	CAGE CODE	00779												
		WEIGHT	-	DRAWING NO	C-6643450												
		CUSTOMER DRAWING		RESTRICTED TO	-												
		SCALE 4:1		SHEET 1 OF 1	REV C												